

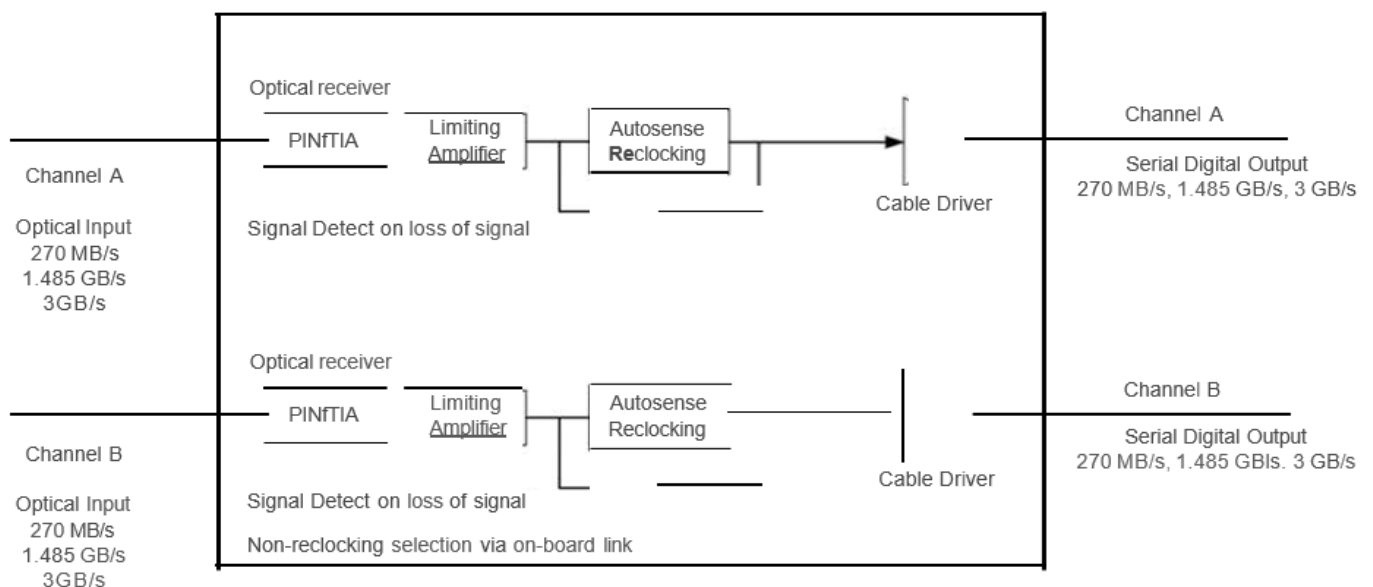
## BC Series Modular Fibre Optic Interface System



### Description:

- Dual-channel receiver converting two independent optical signals to electrical 3G-SDI, HD-SDI, SD-SDI, or ASI.
- Optical input is processed through a trans-impedance and limiting amplifier, then electrically reclocked on output.
- Compact, robust enclosure for OB, special events, and studio use.
- Powered via PS12 unit (IEC mains inlet) or 4-pin XLR (4.5–17 V DC).
- Supports non-reclocking mode and data rates from 50 Mb/s to 3 Gb/s.
- Available in singlemode, WDM, and CWDM variants for different fibre applications.
- Fully compatible with all standard Bluebell cards and enclosures.

### Schematic diagram:



## Specifications

Electrical Output	
Standards	SMPTE 424M, SMPTE 292M, SMPTE 259M, SMPTE 297M, DVB-ASI
Connector	1 x 75 Ohm BNC per IEC 60169-8 Amendment 2 per channel
Return Loss	> 15 dB @ 1.485 Gb/
Format	Reclocked (with bypass to support data rates down to 50 Mb/s)
Signal level	800 mV +/- 10%
DC Offset	0 +/- 0.5 V
Jitter	<0.15 UI line equalised
Optical Input	
Connector	1 x female LC as standard per channel See Ordering Information
Wavelength	1270 – 1610 nm See Ordering Information for multimode and singlemode variants
Optical Power	> -25.0 dBm @ 3 Gb/s > -25.5 dBm @ 1.485 Mb/s > -26.0 dBm @ 270 Mb/s
Max I/P Power	>-1dBm
Data rate	50 Mb/s to 3 Gb/s

General Module Specifications	
Length	92mm 142mm Extended enclosure
Width	64mm
Height	30mm Excluding connectors
Weight	100g
Operating Temp	-30 to +70 °C
Power	2 W
Voltage	4.5 to 17 V de
Signal detect	LED on for loss of signal
Conformance	
EMI/RFI	Complies with 89/336/EEC
Electrical	Complies with EN 61000-6-1, EN61000-6-2
Laser Safety	Complies with Class 1 laser product 24 CFR 1040.10 & 1040.11
RoHS	Complies with Directive 2002/95/EC
Warranty	5 Years

## Ordering Information

BC323R/M	Multimode Dual Channel 3G/SDI, HD/SDI Fibre Optic Receiver Module, Auto-Sensing for SDI, ASI, HD/SDI and 3G/SDI. Fitted with LC connectors. PS12 power supply ordered separately.
BC323R/S	Singlemode Dual Channel 3G/SDI, HD/SDI Fibre Optic Receiver Module, Auto-Sensing for SDI, ASI, HD/SDI and 3G/SDI. Fitted with LC connectors. PS12 power supply ordered separately.
PS12	10 watt Plugtop PSU for the BC313/323/550 Product Range. Fitted with 4 pin XLR. Voltage range 100-240 V ac 50/60 Hz

The BC323 can also be supplied in an “extended” enclosure with ST connectors — add /ST to the end of the part numbers above.

# Bluebell

Bluebell Opticom Limited,  
Unit 2 The Quadrant,  
Howarth Rd,  
Maidenhead,  
Berks,  
SL6 1AP, UK  
Tel: +44 (0) 1628 510055,  
Email: [sales@bluebell.tv](mailto:sales@bluebell.tv)  
Website: [www.bluebell.tv](http://www.bluebell.tv)

