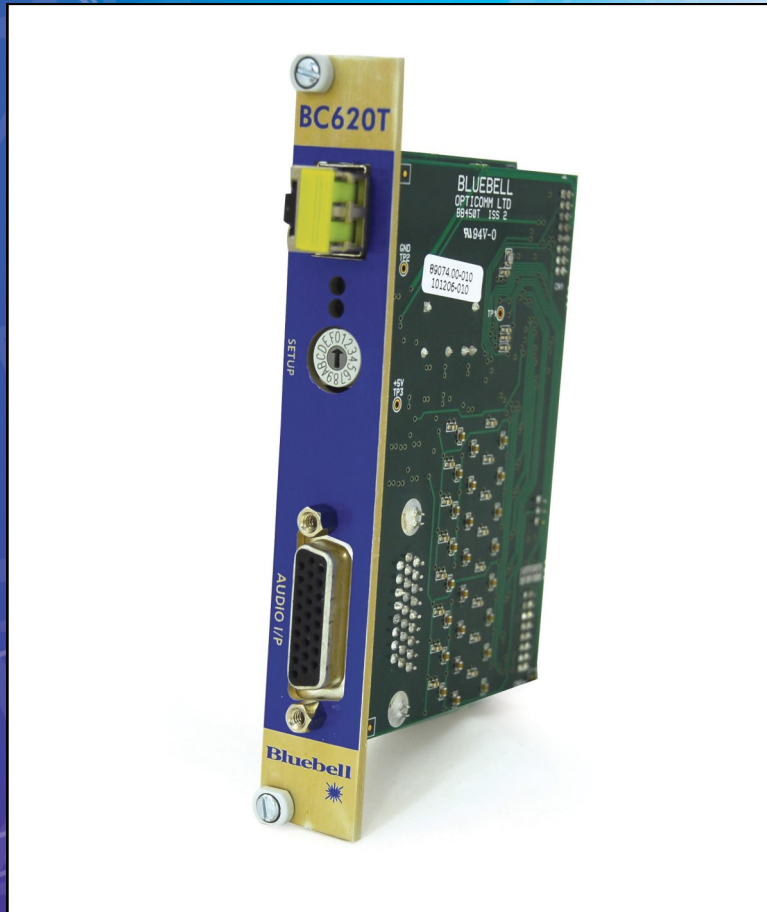


BC Series Modular Fibre Optic Interface System



BC620T 8 Channel Balanced Analogue Audio Multiplexer

Audio

The BC620T provides transmission of multiple channels of analogue line level audio over one optical fibre. All inputs are buffered then converted using full 24 bit A/D conversion then multiplexed onto a single optical data stream.

The BC620T is particularly suited for multichannel audio transport and applications that require the audio to be carried independently to video or embedded audio signals.

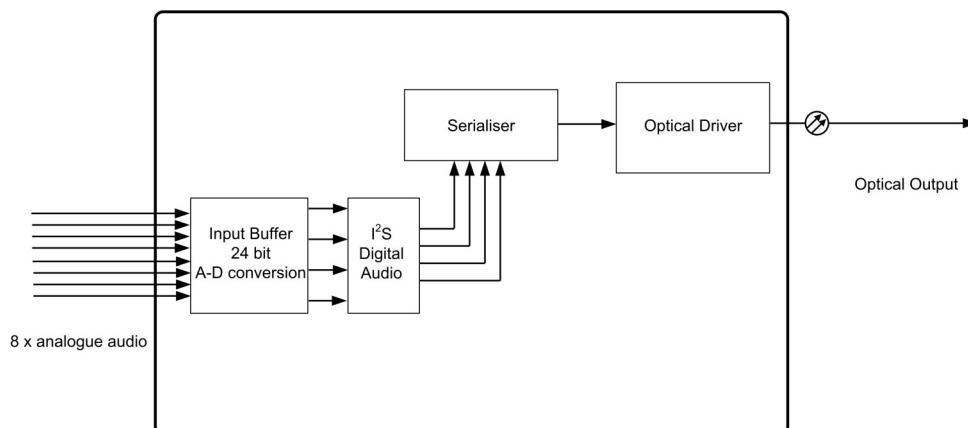
All Bluebell cards are designed to retain maximum integrity of the signal path offering excellent jitter free optical transport. The BC620T is available in multimode, singlemode, WDM and CWDM variants to suit any fibre application.

The BC620T can be used with a BC630R allowing analogue inputs to feed AES outputs.

The BC620T occupies a single slot in the BC100-3RU 19" rack-mounting frame which can hold up to 15 single slot cards. Some BC Series processing cards have dual functionality allowing up to 30 channels of video to be transmitted or received from a single 3RU frame.

Signal and card monitoring is achieved through SNMP monitoring in the BM101 network card. Alternatively GP-Output alarms can be triggered via the BM100 module. For stand alone applications the BC620T can be housed in an individual rugged enclosure.

Schematic Diagram BC620T



Rear Panel



Specifications

Electrical Input Audio

Connector	26-way D connector,
Impedance	24 kOhm differential input
Bandwidth	20 Hz to 20 kHz +/- 0.25 dB
System Gain	0 dB, nominal +/- 0.5dB
Format	Input level +24 dBu Maximum Ref 1 mW into 600 Ohm
Number	8 x Balanced Line Level Analogue Audio
Noise ref	< -90 dB p-p weighted full scale

Optical Output

Connector ¹	1 x female LC plus secondary optical output
Wavelength	850 nm, 1310 nm, 1550 nm, CWDM See Ordering Information
Optical Power	-2 dBm @ 1310 nm (typical) -2 dBm @ 1510 nm (typical) 0 dBm @ CWDM (typical)

General card specifications

Depth	60 mm
Width	20 mm 4TE
Height	129 mm (3RU)
Weight	100 g
Operating Temp	-30 to +70 °C
Power	3.5 W
No. of slots	1

Conformance

EMI/RFI	Complies with 89/336/EEC
Electrical	Complies with EN 61000-6-1, EN61000-6-2
Laser Safety	Complies with Class 1 laser product 24 CFR 1040.10 & 1040.11
RoHS	Complies with Directive 2002/95/EC
Warranty	5 years

Ordering Information

BC620T/M	Multimode Optical Transmitter Card for 8 x Analogue Audio Signals.
BC620T/S/13	Singlemode Optical Transmitter Card for 8 x Analogue Audio Signals (1310nm).
BC620T/S/15	Singlemode Optical Transmitter Card for 8 x Analogue Audio Signals (1550nm).
BC620T/S/CWDM	Singlemode Optical Transmitter Card for 8 x Analogue Audio Signals (Dedicated CWDM Tuned Laser, Wavelength to suit ITU Grid Spacing - see CWDM Ordering Matrix).
	All versions LC connectors as standard. Contact the Sales Office to discuss alternatives.

Universal Chassis and Power Supplies

BC100-3RU	19" 3RU Chassis for up to 15 BCxxx Cards with optional Network Monitoring and facility for Dual Redundant Power Supplies (not supplied).
BC100-3RU/48V	19" 3RU Chassis for up to 15 BCxxx Cards with optional Network Monitoring and facility for Dual Redundant Power Supplies (not supplied). Fitted with 48V dc input.
BM100	Network Monitoring Card with GPI Output on a SCSI Connector for Slot-16
BM101	Network Monitoring Card with Ethernet connection for Slot-16
BC140	Extender Card for BC100 3RU Chassis
PS65	90-250VAC Power Supply for BC100-3RU or BB100-3RU Chassis
BC160	19" 1RU Chassis for up to 6 BCxxx Cards. Includes Dual Redundant Power Supplies. Optional Network Monitoring.
BC110	Single Slot Chassis with Universal Mains Power Supply
BC120	Triple Slot Chassis with Universal Mains Power Supply