

# Bluebell

## BC Series Modular Fibre Optic Interface System

Awaiting Photography

### **BC635**

### **4 Channel Bidirectional AES Audio Multiplexer**

**AES/EBU**

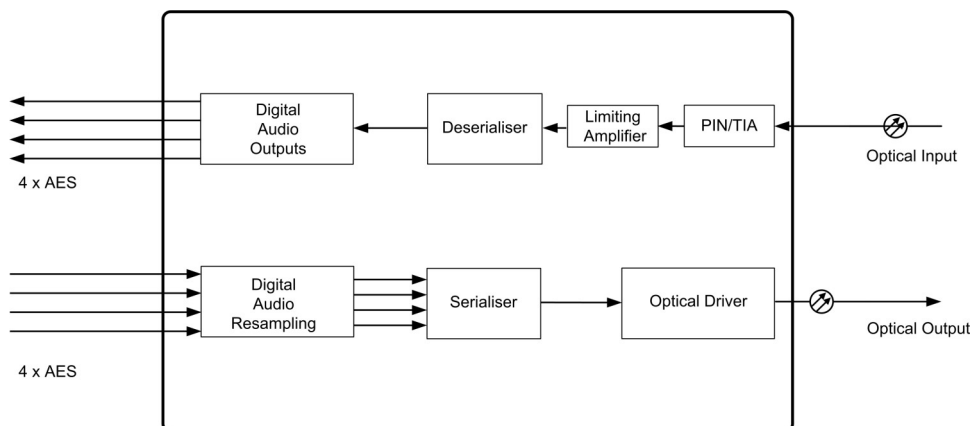
The BC635 is a transmitter for the transport of digital audio over fibre optic cable with the ability to carry 4 channels of AES/EBU audio in each direction on 2 fibres. The incoming signal is auto-sensed and then equalised prior to multiplexing, conversion and transmission down a single optical fibre. All Bluebell cards are designed to retain maximum integrity of the signal path offering excellent jitter free optical transport.

The BC635 is available in multimode, singlemode, WDM and CWDM variants to suit any fibre application.

The BC635 occupies a single slot in the BC100-3RU 19" rack-mounting frame which can hold up to 15 single slot cards. Some BC Series processing cards have dual functionality allowing up to 30 channels of video to be transmitted or received from a single 3RU frame. Signal and card monitoring is achieved through SNMP monitoring in the BM102 network card.

For stand alone applications the BC635 can be housed in an individual rugged enclosure.

## Schematic Diagram BC635



## Specifications

**Electrical Input Audio**

Standard	AES-3 1992 Balanced
Connector	26-way D connector
Impedance	110 Ohm Balanced
Format	AES 32 kHz to 192 kHz AES3-1992 (All 4 inputs resampled to 48 kHz)
Number	4 x AES/EBU Digital Audio

**Electrical Output Audio**

Standard	AES-3 1992 Balanced
Connector	26-way D connector
Impedance	110 Ohm Balanced
Format	AES 32 kHz to 192 kHz AES3-1992
Number	4 x AES/EBU Digital Audio

**Optical Input/Output**

Connector	1 x female LC
Wavelength	1310 nm, 1550 nm, CWDM See Ordering Information
Optical Power	-2 dBm @ 1310 nm (typical) -2 dBm @ 1510 nm (typical) 0 dBm @ CWDM (typical)

**General card specifications**

Depth	60 mm
Width	20 mm 4HP
Height	129 mm 3RU
Weight	100 g
Operating Temp	-30 to +70 °C
Power	2.4 W
Signal detect	LED on for loss of signal
No. of slots	1

**Conformance**

EMI/RFI:	Complies with 89/336/EEC, EN55022B, EN61000-4-2, EN61000-4-4-(Level 2), EN61000-4-4FTB, EN61000-4-5, EN61000-4-11
Electrical:	Complies with EN61000-6-1, EN61000-6-2, EN61000-6-3, EN61000-6-4
Laser Safety:	Dependent on SFP fitted. Complies with Class 1 laser product
RoHS:	Complies with Directive 2002/95/EC
Warranty	5 years

## Ordering Information

BC635/M	Multimode Optical Transceiver Card for 4 x bidirectional AES Audio Signals.
BC635/S/13/WB	Singlemode Optical Transceiver Card for 4 x bidirectional AES Audio Signals (1310nm).
BC635/S/15/WB	Singlemode Optical Transceiver Card for 4 x bidirectional AES Audio Signals (1550nm).
BC635/S/CWDM/WB	Singlemode Optical Transceiver Card for 4 x bidirectional AES Audio Signals (Dedicated CWDM Tuned Laser, Wavelength to suit ITU Grid Spacing - see CWDM Ordering Matrix).

Fitted with LC connectors as standard

For all available enclosures and frames see section "Universal Chassis and Power Supplies".