

Deployable Optical Products for Outside Broadcast

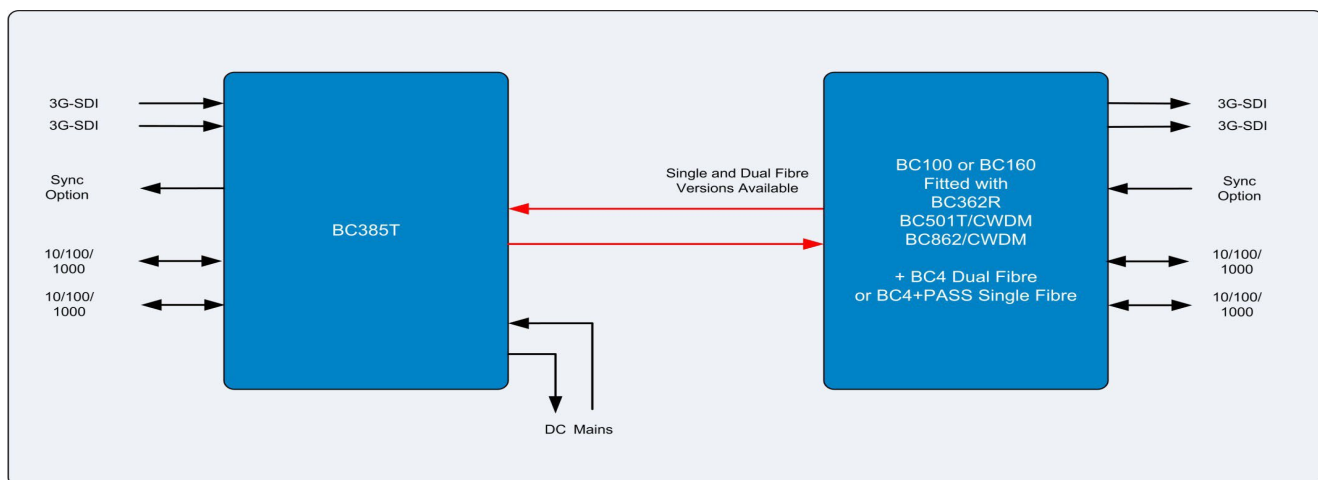


Description:

- The BN385 is designed for cost-effective transport of 3G-SDI and Gigabit Ethernet signals over fibre, expanding the BlueNano range.
- It is ideal for robotic or POV camera links, typically carrying PGM video, viewfinder overlays, and Ethernet for camera control and PTZ on a single fibre.
- The unit features two 3G-SDI paths from the camera position, a dual-port GbE link, and an optional genlock return, all over a single singlemode fibre with an option for dual-fibre operation.
- Housed in a rugged standalone enclosure, the BN385 is well-suited for OB environments and can be paired with BC Series racks at the equipment room or truck end.
- The BN385/R/ST1/IEC/PO variant includes an IEC mains input (100–250 VAC) and local DC output to power the camera; other versions support alternative fibre, power, and connector options.
- Fully compatible with BC Series modular cards and frames, allowing full integration into OB or CAR networks.

BN385

3G-SDI, Dual Port Gigabit and Genlock



Specifications

Electrical Input	
Standards	SMPTE 424M, SMPTE 292M, SMPTE 259M, SMPTE 297M, DVB-ASI
Equalisation	Automatic to 100 m @ 3 Gb/s Automatic to 200 m @ 1.485 Gb/s Automatic to 300 m @ 270 Mb/s
Connector	1 x 75 Ohm BNC to IEC 60169-8 Amendment 2 per channel
Return Loss	> 15 dB @ 1.485 Gb/s
Format	Reclocked
Electrical Output	
Standards	Composite 1V pk-pk PAL, NTSC, SECAM
Connector	75 Ohm BNC
Diff. Phase	< 1°
Diff. Gain	< 1% (at sub-carrier 3.58/4.43 MHz)
General Specifications (Excluding Connectors)	
Length	180 mm
Width	160 mm
Height	54 mm
Weight	200 g
Operating Temp	-30 to +70 °C
Power	6 W
Voltage	Mains IEV in
Conformance	
EMI/RFI	Complies with 89/336/EEC, EN55022B, EN61000-4-2, EN61000-4-4-(Level 2), EN61000-4-4FTB, EN61000-4-5, EN61000-4-11
Electrical	Complies with EN61000-6-1, EN61000-6-2, EN61000-6-3, EN61000-6-4
Laser Safety	Dependent on SFP fitted. Complies with Class 1 laser product
RoHS	Complies with Directive 2002/95/EC
Warranty	5 Years
Electrical Input/Output	
Connector	RJ45
Number	2
Format	Full duplex 100/1000Base-FX Data Transmission 10/100/1000BaseT half/full duplex auto-negotiation
Standard	IEEE 802.3 802.310 BaseT 802.3u100 BaseT 802.3ab 1000 BaseT
Optical Output	
Connector	1 x female ST as standard per unit
Wavelength	1310 nm, 1550 nm
Optical Power	-3 dBm @ 1310 nm (typical)
Contact the Sales Office for alternate options	

Ordering Information

BN385/R/ST1/IEC/PO

Stand Alone Robotic Camera Interface - Remote Camera End.

For use with singlemode fibre networks.

Provides two independent 3G-SDI signals and a 2 port Gigabit Ethernet hub plus reverse Genlock signal.

All signals provided via a single fibre on an ST connector.

Supplied in black rugged aluminium enclosure fitted with IEC mains inlet and a 30W DC power output via XLR.

The above unit is used at the remote camera position and a BC Series frame and cards at the base position.

Fitted with Single ST connector as standard.

Contact the Sales Office for other variants and connectors



Bluebell Opticom Limited,
Unit 2 The Quadrant,
Howarth Rd,
Maidenhead,
Berks,
SL6 1AP, UK
Tel: +44 (0) 1628 510055,
Email: sales@bluebell.tv
Website:www.bluebell.tv

