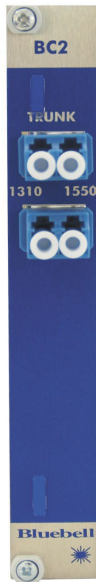


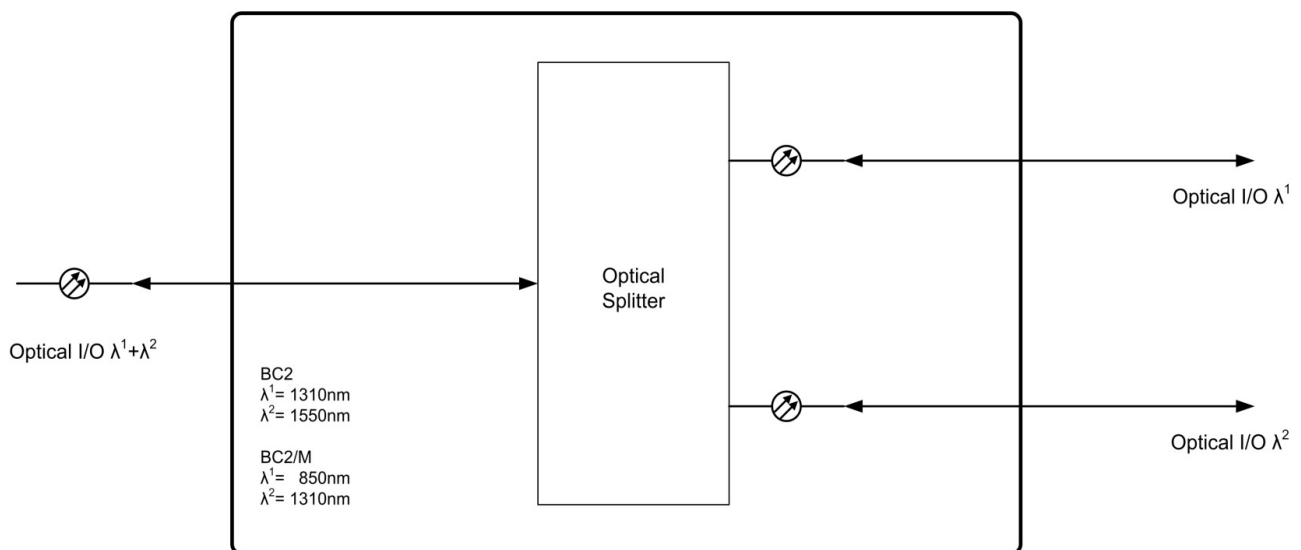
## Wavelength Division Multiplexer/Demultiplexer



### Description:

- Passive device for multiplexing or demultiplexing two optical wavelengths over a single fibre
- Supports 1310 nm and 1550 nm on singlemode fibre (BC-2), and 850 nm and 1310 nm on multimode fibre (BC-2/M)
- Uses standard transmitters and receivers for cost-effective WDM
- Enables bidirectional communication and increases network capacity without infrastructure upgrades
- Compatible with CWDM systems (1310 nm port: 1270–1410 nm, 1550 nm port: 1470–1610 nm)
- Available for rack-mount (BC100-3RU, BC160-1RU) or stand-alone use (BC101, BC102, BC120)

## Wavelength Division Multiplexer/Demultiplexer



## Specifications

Optical Specifications	
Connector	BC-2 LC BC-2/M ST
Wavelength	BC-2 1310nm and 1550nm BC-2/M 850nm and 1310nm
Insertion loss	
WDM 850/1310	1310nm port, 2dB Maximum Loss 850nm port, 3dB Maximum Loss
WDM1310/1550	1310nm port, 2dB Maximum Loss 1550nm port, 2dB Maximum Loss
Isolation	
WDM 850/1310	> 30dB between 1310nm/850nm ports
WDM 1310/1550	> 30dB between 1310nm/1550nm Passes CWDM wavelengths in the ranges 1270-1410nm and 1470- 1610nm

General Specifications	
No. of slots	1
Depth	60 mm
Width	20 mm
Height	100 mm 3RU
Weight	100 g
Operating Temp	0 to +70 °C
Max Optical Power	250 mW

## Ordering Information

BC2/LC	Wave Division Multiplexer for combining/separating singlemode 1310nm and 1550nm wavelengths. Fitted with LC connectors.
BC2/2/LC	Wave Division Multiplexer for combining/separating singlemode 1310nm and 1550nm wavelengths. Two independent WDM units on a single BC Series card. Fitted with LC connectors.
BC2/M	Wave Division Multiplexer for combining/separating multimode 850nm and 1310nm wavelengths. Fitted with ST connectors

**Please contact the Sales Office if other connector formats are required.**

**Fitted with LC connectors as standard**

**For all available enclosures and frames see section "Universal Chassis and Power Supplies".**

# Bluebell

Bluebell Opticom Limited,  
Unit 2 The Quadrant,  
Howarth Rd,  
Maidenhead,  
Berks,  
SL6 1AP, UK  
Tel: +44 (0) 1628 510055,  
Email: [sales@bluebell.tv](mailto:sales@bluebell.tv)  
Website: [www.bluebell.tv](http://www.bluebell.tv)

