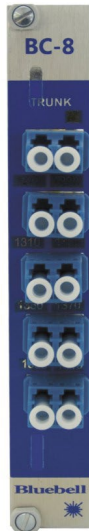


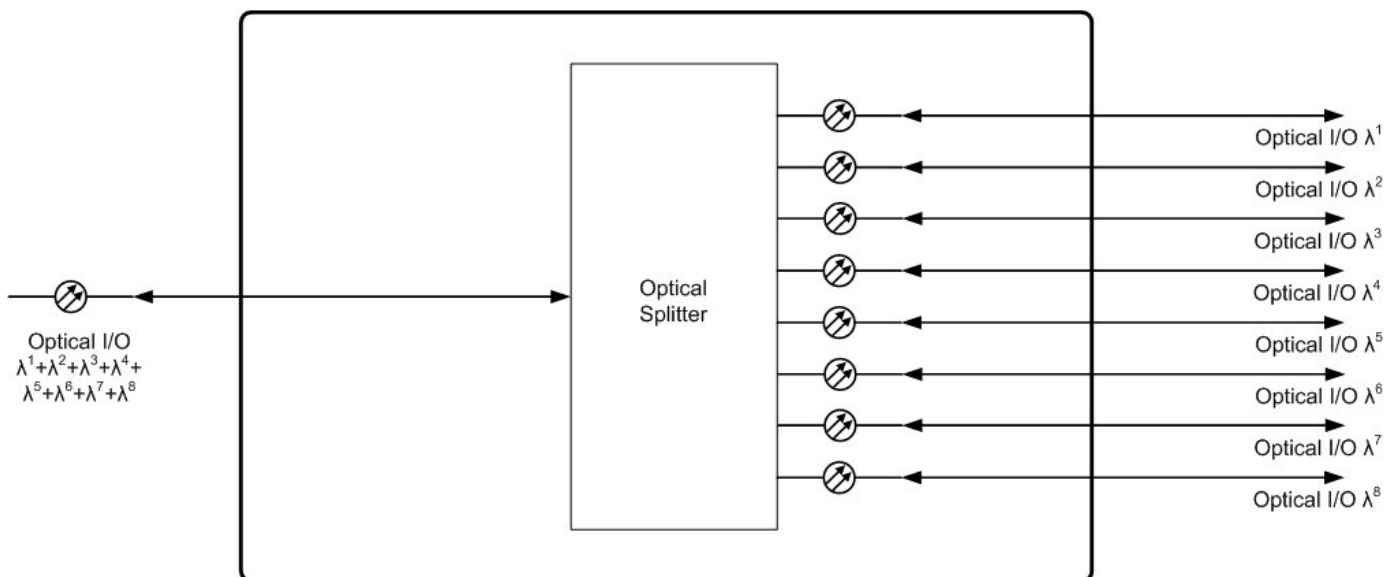
## BC Series Modular Fibre Optic Interface System



### Description:

- Passive WDM device for multiplexing/demultiplexing up to 8 optical wavelengths over singlemode fibre
- Operates with 20 nm wavelength spacing based on ITU G.694.2 CWDM grid
- Expandable with additional BC-4 or BC-8 cards to carry up to 16 wavelengths on a single fibre
- Ideal for cost-effective fibre use in Outside Broadcast or third-party leased fibre environments
- BC-8 occupies one slot; BC-8D occupies two slots in BC Series 19" rack-mounting frames
- Compatible with BC160/BC160P 1RU frames for space-saving OB applications
- Stand-alone use supported in BC120 rugged enclosures

### BC-8 : Coarse Wavelength Division Multiplexer/Demultiplexer



## Specifications

Coarse Wavelength Division Multiplexer for single mode Optical Fibre Systems	
Channels	8 Additional channels via parallel BC4 or BC8 and BC2 combinations
Centre Wavelengths	1270/1290/1310/1330/1350/1370/1390/1410 or 1470/1490/1510/1530/1550/1570/1590/1610
Optical bandwidth	> 13 nm
Insertion loss	< 1.9 dB
Link loss for mux/demux pair	< 3.8 dB
Isolation Adjacent channel	> 30 dB
Non-adjacent channel	> 40 dB
Isolation spectral range	1260-1620 nm
Return loss	> 45 dB (50 dB typ)
Directivity	> 50 dB
Polarization dependant loss	< 0.2 dB
<b>NB : All CWDM systems require specific "tuned" laser transmitters with individual 20 nm window wavelengths</b>	

General Specifications	
No. of slots	1 or 2
Depth	60 mm
Width	20 or 40 mm
Height	100 mm 3RU
Weight	100 g
Operating Temp	0 to +70 °C
Max Optical Power	250 mW
Conformance	
EMI/RFI	Complies with 89/336/EEC, EN55022B, EN61000-4-2, EN61000-4-4-(Level 2), EN61000-4-4FTB, EN61000-4-5, EN61000-4-11
Electrical	Complies with EN61000-6-1, EN61000-6-2, EN61000-6-3, EN61000-6-4
Laser Safety	Dependent on SFP fitted. Complies with Class 1 laser product
RoHS	Complies with Directive 2002/95/EC
Warranty	5 Years

## Ordering Information

### 1 slot device

BC-8/CWDM/LC – Option A	8-Channel CWDM Card Centre Wavelengths	1270/1290/1310/1330/1350/1370/1390/1410 nm
BC-8/CWDM/LC – Option B	8-Channel CWDM Card Centre Wavelengths	1470/1490/1510/1530/1550/1570/1590/1610 nm

### 2 slot device

BC-8D/CWDM/LC – Option A	8-Channel CWDM Card Centre Wavelengths	1270/1290/1310/1330/1350/1370/1390/1410 nm
BC-8D/CWDM/LC – Option B	8-Channel CWDM Card Centre Wavelengths	1470/1490/1510/1530/1550/1570/1590/1610 nm

**Fitted with LC connectors as standard**

**For all available enclosures and frames see section "Universal Chassis and Power Supplies".**



Bluebell Opticom Limited,  
Unit 2 The Quadrant,  
Howarth Rd,  
Maidenhead,  
Berks,  
SL6 1AP, UK  
Tel: +44 (0) 1628 510055,  
Email: sales@bluebell.tv  
Website: www.bluebell.tv

