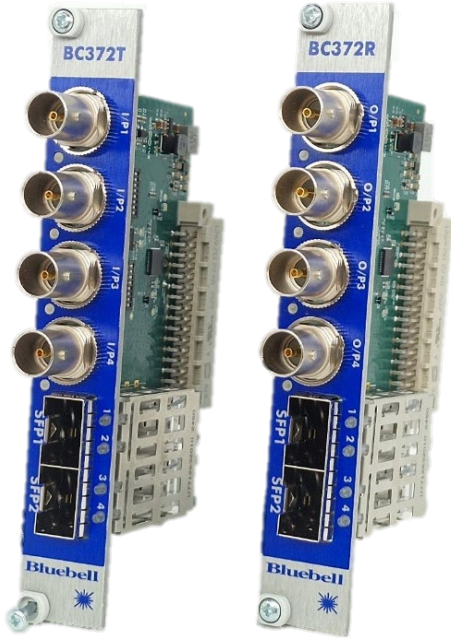


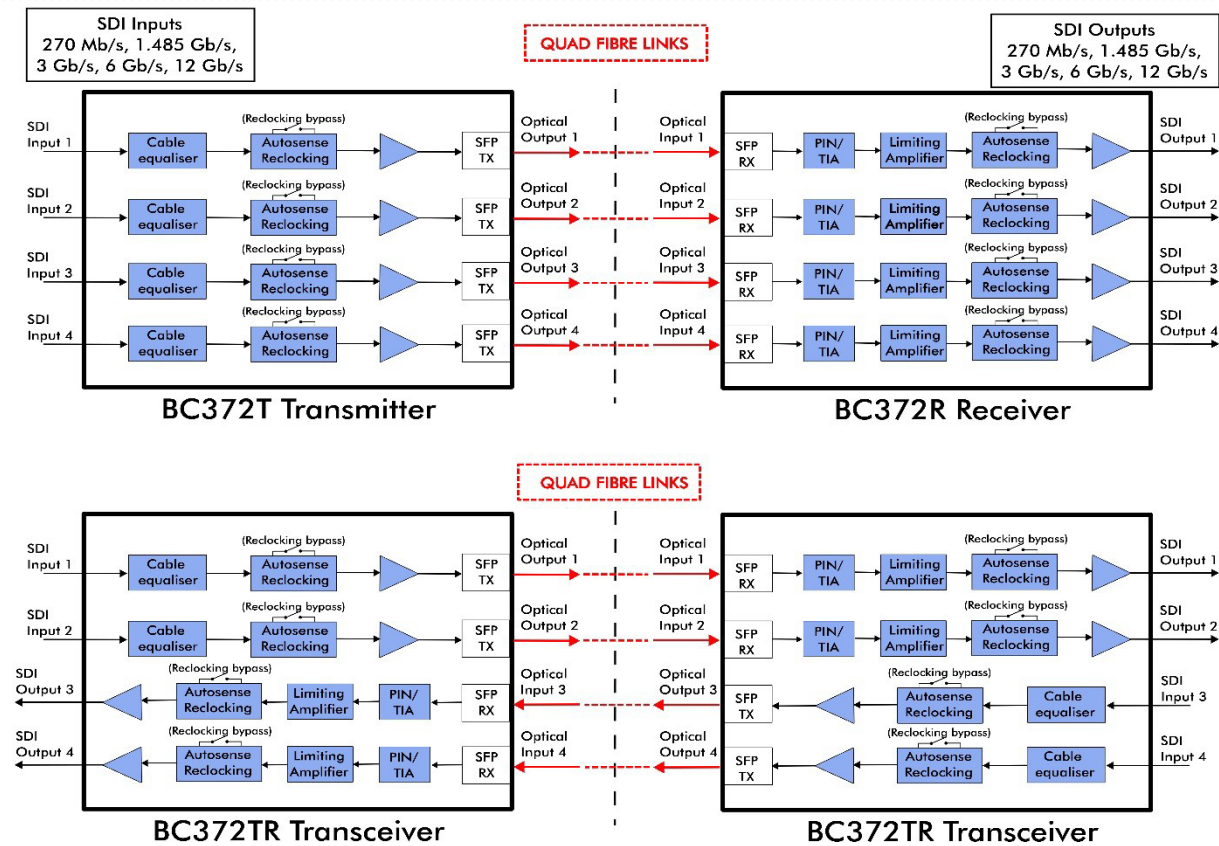
BC372 Quad Channel Optical Transport - 12G



Description:

- Transport four independent 12G-SDI, 6G-SDI, 3G-SDI, HD-SDI, SD-SDI, and ASI signals over a quad fibre optic link.
- Available in four variants:
 - **BC372T** – Quad electrical-to-optical converter.
 - **BC372R** – Quad optical-to-electrical converter.
 - **BC372TR** – Dual electrical-to-optical + dual optical-to-electrical
- Electrical SDI I/O via standard BNC connectors; optical I/O via dual female LC connectors in SFP carriers.
- Auto-sensing with equalisation and reclocking to minimise jitter and maintain signal integrity (bypass option available).
- Bicolour LED indicators confirm valid signal on each input.
- BC372T available in CWDM wavelengths (1270– 1610 nm); BC372R features wideband optical receivers.
- Compatible with all BC Series racks and enclosures.
- Status reporting to BC100i/BC160i rack's built-in monitoring system; enhanced SNMP reporting available via BM102i network card.

BC372 Schematic diagram:



Specifications

	Transmit Channel (Tx)	Receive channel (Rx)
Electrical Inputs and Outputs		
SDI Standards – conformities	Compliant with: SMPTE ST 2082, SMPTE ST 2081, SMPTE ST 424M, SMPTE 292M, SMPTE 259M, SMPTE 297M	
Signal Standards	12G-SDI, 6G-SDI, 3G-SDI, HD-SDI, SD-SDI, DVB-ASI, MADI AT 125 Mb/s	
Equaliser	Automatic to: SD-SDI: 300 m @ 270 Mb/s HD-SDI: 240 m @ 1.485 Gb/s 3G-SDI: 180 m @ 2.97 Gb/s 6G-SDI: 95 m @ 5.94 Gb/s 12G-SDI: 70 m @ 11.88 Gb/s <15 dB, 5 Mb/s – 1.485 Gb/s <17 dB, 5 Mb/s – 1.485 Gb/s	
Format	Re-clocked (may be bypassed)	
Polarity	Non Inverting	
Signal level	800 mV +/-10%	
Timing Jitter	0.2 UI line equalised @ 270 Mb/s 1 UI line equalised @ 1.485 Gb/s 2 UI line equalised @ 2.97 Gb/s 4 UI line equalised @ 5.94 Gb/s 8 UI line equalised @ 11.88 Gb/s	
Optical Inputs and Outputs		
Connector	Optical specifications determined by SFP	
Wavelength		
Optical Power		
Sensitivity		
Laser Safety		
Monitoring		
Front panel	S/L: bi-colour LED per electrical input or output indicating a valid and locked signal	
External BC100i/BC160i rack frame	Bi-colour LED per channel indicating lock status of electrical inputs	Bi-colour LED per channel indicating lock status of optical inputs
External via BC100i/ BC160i rack frame screen or BM102i monitoring web page	Bi-colour virtual LED per channel indicating lock status of electrical inputs	Bi-colour virtual LED per channel indicating lock status of optical inputs
SNMP monitoring (via BC100i/BC160i rack frame with BM102i card fitted)	Lock status of electrical inputs	Lock status of optical inputs
General		
Input	6 – 17 V	
Power	6 W Typical	
Depth	75 mm (60 mm excluding connectors)	
Width	20 mm	
Height	129 mm	
Weight	100 g (Excluding SFP)	
Operating Temp	-30 to +70 °C	

Ordering Information

BC372T	Quad Channel 12G/SDI Fibre Optic Transmitter Card, Auto-Sensing and reclocking for SDI, ASI, HD/SDI 3G-SDI, 6G-SDI, and 12G/SDI. No Optics Fitted.
BC372R	Quad Channel 12G/SDI Fibre Optic Receiver Card, Auto-Sensing and reclocking for SDI, ASI, HD/SDI, 3G-SDI, 6G-SDI and 12G/SDI. No Optics Fitted.
BC372TR	Singlemode Quad Channel 12G/SDI Fibre Optic Transceiver Card, Auto-Sensing and reclocking for SDI, ASI, HD/SDI, 3G-SDI, 6G-SDI, and 12G/SDI. Fitted with LC connectors as standard For all available enclosures and frames see “Universal Chassis and Power Supplies”.



Bluebell Opticom Limited,
Unit 2 The Quadrant,
Howarth Rd,
Maidenhead,
Berks,
SL61AP, UK
Tel: +44 (0) 1628 510055
Email: Sales@Bluebell.tv

