

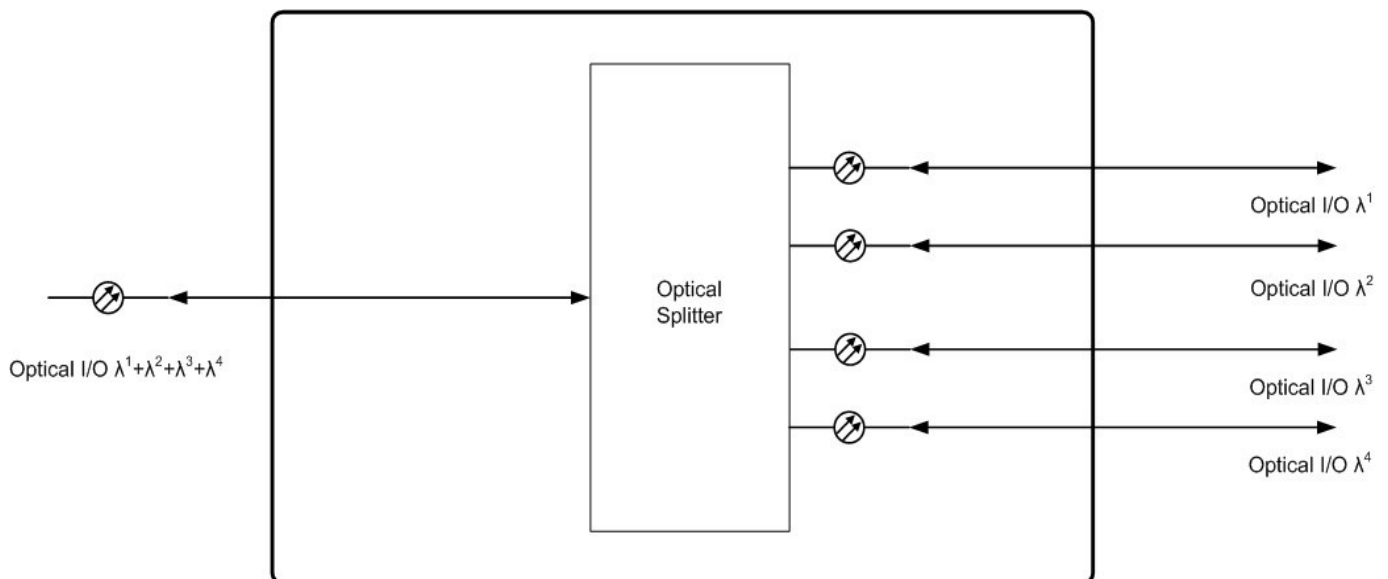
BC Series Modular Fibre Optic Interface System



Description:

- Passive WDM device for multiplexing/demultiplexing up to 4 optical wavelengths over singlemode fibre
- Based on ITU G.694.2 CWDM grid with 20 nm wavelength spacing
- Expandable with BC-4 or BC-8 cards to support up to 16 wavelengths per fibre
- Ideal for cost-effective use with leased fibres or Outside Broadcast environments
- BC-4 occupies one slot; BC-4D occupies two slots in any BC Series 19" frame
- Compatible with BC160/BC160P 1RU frames for space-saving OB setups
- Can be installed in a BC120 rugged enclosure for stand-alone use

BC4 : Coarse Wavelength Division



Specifications

Optical Specifications	
Channels	4 Additional channels via parallel BC4 or BC8 and BC2 combinations
Centre Wavelengths	1510/1530/1550/1570 1470/1490/1590/1610 1270/1290/1310/1330 1350/1370/1390/1410
Optical bandwidth	> 13 nm
Insertion loss	< 1.9 dB
Link loss for mux/demux pair	< 3.8 dB
Isolation Adjacent channel	> 30 dB
Non-adjacent channel	> 40 dB
Isolation spectral range	1260-1620 nm
Return loss	> 45 dB (50 dB typ)
Directivity	> 50 dB
Polarization dependant loss	< 0.2 dB
NB : All CWDM systems require specific "tuned" laser transmitters with individual 20 nm window wavelengths	

General Specifications	
No. of slots	1 or 2
Depth	60 mm
Width	20 or 40 mm
Height	100 mm 3RU
Weight	100 g
Operating Temp	0 to +70 °C
Max Optical Power	250 mW
Conformance	
EMI/RFI	Complies with 89/336/EEC, EN55022B, EN61000-4-2, EN61000-4-4-(Level2), EN61000-4-4FTB, EN61000-4-5, EN61000-4-11
Electrical	Complies with EN61000-6-1, EN61000-6-2, EN61000-6-3, EN61000-6-4
Laser Safety	Dependent on SFP fitted. Complies with Class 1 laser product
RoHS	Complies with Directive 2002/95/EC
Warranty	5 Years

Ordering Information

1 Slot Device	
BC-4/CWDM/LC – Option A	4-Channel CWDM Card Centre Wavelengths 1510/1530/1550/1570 nm
BC-4/CWDM/LC – Option B	4-Channel CWDM Card Centre Wavelengths 1470/1490/1590/1610 nm
BC-4/CWDM/LC – Option C	4-Channel CWDM Card Centre Wavelengths 1270/1290/1310/1330 nm
BC-4/CWDM/LC – Option D	4-Channel CWDM Card Centre Wavelengths 1350/1370/1390/1410 nm
2 Slot Device	
BC-4D/CWDM/LC – Option A	4-Channel CWDM Card Centre Wavelengths 1510/1530/1550/1570 nm
BC-4D/CWDM/LC – Option B	4-Channel CWDM Card Centre Wavelengths 1470/1490/1590/1610 nm
BC-4D/CWDM/LC – Option C	4-Channel CWDM Card Centre Wavelengths 1270/1290/1310/1330 nm
BC-4D/CWDM/LC – Option D	4-Channel CWDM Card Centre Wavelengths 1350/1370/1390/1410 nm
Fitted with LC connectors as standard	
For all available enclosures and frames see section "Universal Chassis and Power Supplies".	



Bluebell Opticom Limited,
Unit 2 The Quadrant,
Howarth Rd,
Maidenhead,
Berks,
SL6 1AP, UK
Tel: +44 (0) 1628 510055,
Email: sales@bluebell.tv
Website: www.bluebell.tv

