

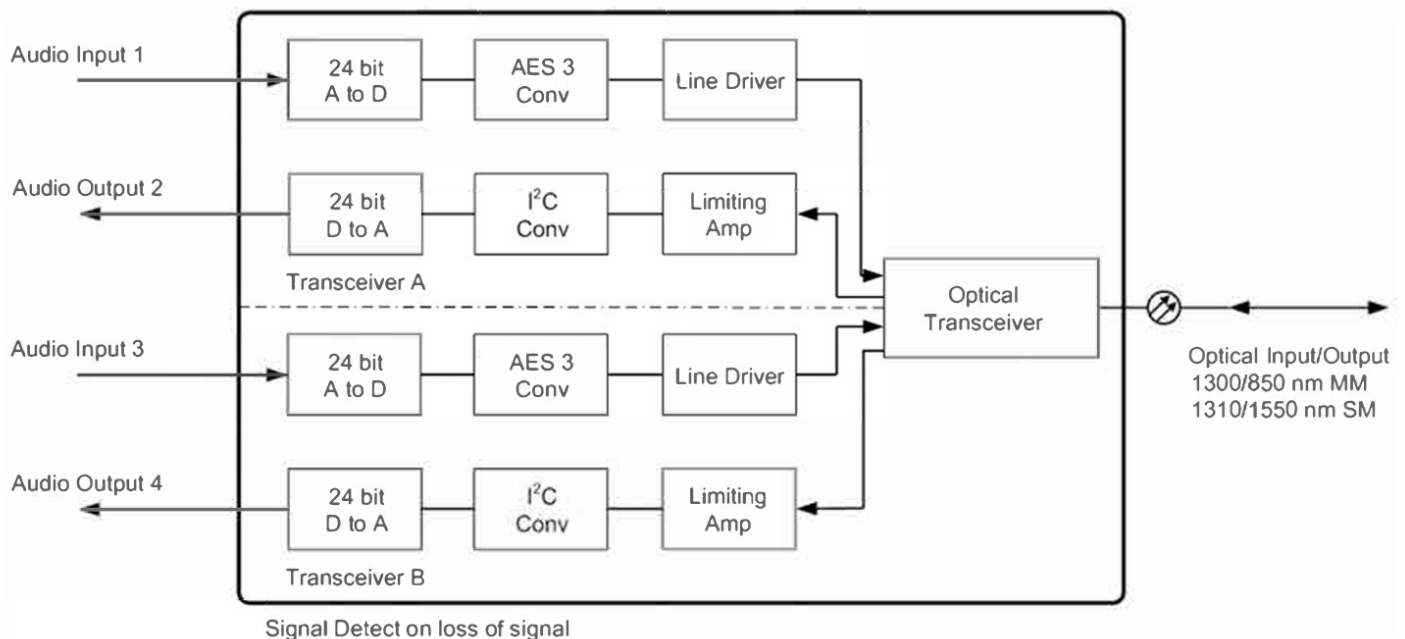
BC Series Modular Fibre Optic Interface System



Description:

- Transmits two independent duplex analogue audio signals over a single fibre.
- Provides two independent circuits for use in 4-wire comms systems.
- Uses 24-bit converters for professional broadcast audio quality.
- Available in multimode and singlemode variants.
- Includes AES output for local monitoring or remote audio feed.
- Can function as an A/D converter or provide inputs to an AES BC460T embedder.
- Occupies a single slot in the BC100-3RU rack (up to 30 channels in one frame).
- Monitoring via SNMP (BM101) or GP-output alarms (BM100).
- Can also be housed in a rugged standalone enclosure.

BC710 Schematic diagram:



Specifications

Electrical Input/Output																					
Connector	9 way D sub-connector																				
Format	20 Hz to 20 kHz +/- 0.25 dB distortion 0 dB system gain, 18 dBu ref 1 mW into 600 Ohm																				
Number	4 x Balanced Line Level Analogue Audio																				
Optical Input/Output																					
Connector	1 x female FC/PC, ST or SC See Ordering Information																				
Wavelength	<table border="1"> <thead> <tr> <th></th> <th colspan="2">Input (nm)</th> <th colspan="2">Output (nm)</th> </tr> <tr> <th></th> <th>MM</th> <th>SM</th> <th>MM</th> <th>SM</th> </tr> </thead> <tbody> <tr> <td>Input 1,3</td> <td>1300</td> <td>1550</td> <td>850</td> <td>1310</td> </tr> <tr> <td>Output 2,4</td> <td>850</td> <td>1310</td> <td>1300</td> <td>1550</td> </tr> </tbody> </table>		Input (nm)		Output (nm)			MM	SM	MM	SM	Input 1,3	1300	1550	850	1310	Output 2,4	850	1310	1300	1550
	Input (nm)		Output (nm)																		
	MM	SM	MM	SM																	
Input 1,3	1300	1550	850	1310																	
Output 2,4	850	1310	1300	1550																	
Optical Power	- 15 dBm@ 850 nm - 15 dBm@ 1310 nm multimode - 6 dBm@ 1310 nm singlemode - 6 dBm@ 1510 nm																				
Sensitivity	> - 3 dB to - 30 dBm																				
Max I/P power	> -1 dBm																				

Depth	60 mm
Width	20 mm 4TE
Height	100 mm (3RU)
Weight	100 g
Operating Temp	-30 to +70 QC
Power	2.2 W
Signal Detect	LED on for signal loss
Conformance	
EMI/RFI	Complies with 89/336/EEC
Electrical	Complies with EN 61000-6-1, EN61000-6-2
Laser safety	Complies with Class 1 laser product 24 CFR 1040.10 & 1040.11
RoHS	Complies with Directive 2002/95/EC
Warranty	5 Years

Ordering Information

BC710M/LC	Multimode 4-Wire Comms Talkback to Optical Transceiver Card with LC connector (850/1300 nm)
BC710S/LC	Singlemode 4-Wire Comms Talkback to Optical Transceiver Card with LC connector (1310/1550 nm)
Universal Chassis and Power Supplies	
BC100-3RU	19" 3RU Chassis for up to 15 BCxxx Cards with optional Network Monitoring and facility for Dual Redundant Power Supplies (not supplied).
BC160 19"	1RU Chassis for up to 6 BCxxx Cards fitted with Dual Redundant Power Supplies.
BM100	Network Monitoring Card with GPI Output on a SCSI Connector for Slot-16
BM101	Network Monitoring Card with Ethernet connection for Slot-16

Bluebell

Bluebell Opticom Limited,
Unit 2 The Quadrant,
Howarth Rd,
Maidenhead,
Berks,
SL6 1AP, UK
Tel: +44 (0) 1628 510055,
Email: sales@bluebell.tv
Website: www.bluebell.tv

