

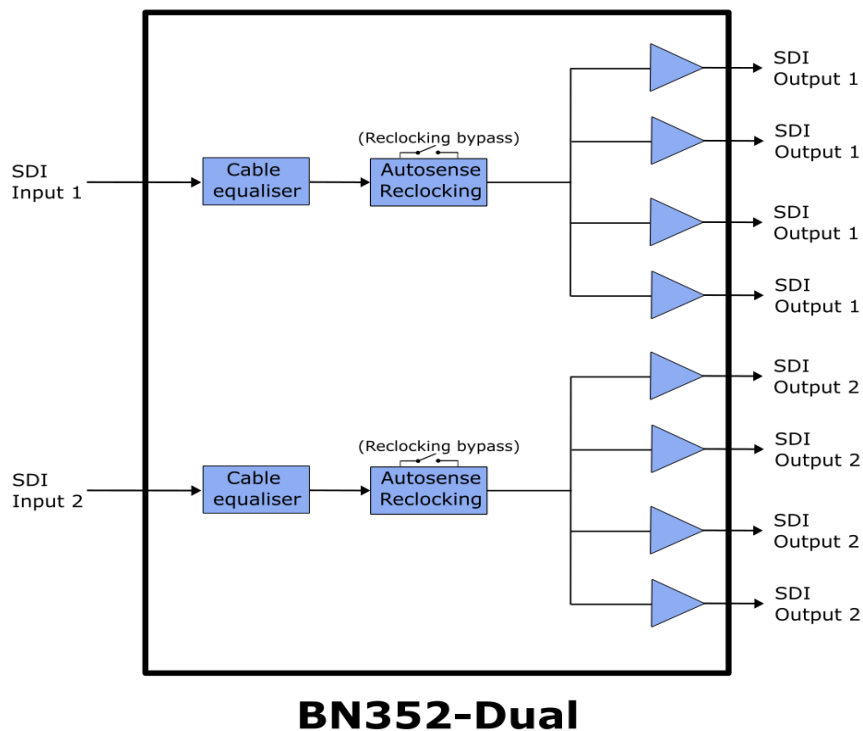
BN352-DUAL 2x 1:4 Distribution Amplifier



Description:

- 2x 1 input, 4 outputs with full reclocking for maximum signal integrity
- Automatic input detection with LED indicator for signal loss
- Supports a wide range of formats: 12G/6G/3G/HD/SD-SDI, MADI, ASI
- Cable equalisation and reclocker bypass for non-standard data rates
- 12V DC power via 4-pin XLR, ensuring reliable field operation
- Housed in a compact, rugged enclosure, ideal for OB and portable applications

BN352-DUAL Schematic Diagram:



Specifications

Input	Connector	75 Ohm BNC per IEC 60169-8 Amendment 2	
	Number	2	
	Return Loss		<-15dB to 1.485GHz
			<-10dB to 3GHz
			<-7dB to 6GHz
			<-4dB to 12GHz
	Standards	SMPTE ST 2082, SMPTE ST 2081, SMPTE ST 424, SMPTE ST 292, SMPTE ST 259, DVB-ASI	
	Equalisation		Automatic rate detection and cable equalisation. Typical Equalised length of 1694A:
			80m @ 11.88Gbps
			100m @ 5.94Gbps
		190m @ 2.97Gbps	
		260m @ 1.485Gbps	
		450m @ 270Mbps & 125Mb/s	
Outputs	Connector	75 Ohm BNC per IEC 60169-8 Amendment 2	
	Number	4	
	Return Loss		<-15dB to 1.485GHz
			<-10dB to 3GHz
			<-7dB to 6GHz
			<-4dB to 12GHz
	Standards	SMPTE ST 2082, SMPTE ST 2081, SMPTE ST 424, SMPTE ST 292, SMPTE ST 259, DVB-ASI	
	Polarity	Non-inverting	
	Signal Level	800 mV +/- 10%	
	DC Offset	0 +/- 0.5 V	
Conformities	RoHS & WEEE	Complies with RoHS Directive 2011/65/EU, WEEE Directive 2012/19/EU	
Power	Connector	XLR4	
	Voltage	5-17VDC	
	Power	TBC	
General	LED Indication	Power / Signal Present	
	Dimensions (HxWxD)	30 x 64 x 92mm (Excluding connectors)	
	Weight	TBC	
	Operating Temperature	0 to +70°C	



Bluebell Opticom Limited,
Unit 2 The Quadrant,
Howarth Rd,
Maidenhead,
Berks,
SL6 1AP, UK
Tel: +44 (0) 1628 510055,
Email: sales@bluebell.tv
Website: www.bluebell.tv

